

⑫ **EUROPEAN PATENT APPLICATION**

⑰ Application number: **82111596.1**

⑱ Date of filing: **14.12.82**

⑥① Int. Cl.³: **F 02 B 47/10**
F 02 B 43/10, F 02 M 21/02
F 02 M 25/06, F 23 L 7/00
F 23 C 9/00

④③ Date of publication of application:
27.06.84 Bulletin 84/26

⑧④ Designated Contracting States:
AT BE CH DE FR GB IT LI LU NL SE

⑦① Applicant: **Meyer, Stanley A.**
3792 Broadway
Grove City Ohio 43123(US)

⑦② Inventor: **Meyer, Stanley A.**
3792 Broadway
Grove City Ohio 43123(US)

⑦④ Representative: **Wasmeier, Alfons, Dipl.-Ing. et al.**
Postfach 382 Greflingerstrasse 7
D-8400 Regensburg(DE)

⑥④ **Hydrogen aeration injection system.**

⑥⑦ System and apparatus for the controlled intermixing of hydrogen *volatile* gas with non-combustible gasses in a combustion system. The system utilizes a hydrogen generator (10) for developing a controlled output of hydrogen and oxygen gasses and non-volatile gasses such as nitrogen. The hydrogen gas with the attendant gasses and added gasses are fed via a line (5) (9) to an air intake system (20) in a controlled ratio. The combined gasses after intermixing are fed to a combustion chamber (30) wherein the mixture is ignited. The exhaust gasses of the combustion chamber (30) are returned in a closed loop arrangement to the mixing chamber (40) as non-volatile gasses to control the velocity and temperature of the volatile hydrogen gas.

EP 0 111 574 A1

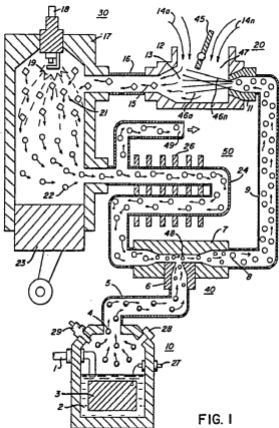


FIG. 1

Hydrogen Airdation Injection System

1 CROSS REFERENCE AND BACKGROUND:

2 There is disclosed in my co-pending patent application
3 filed September 16, 1981, U.S. Serial Number: 302,807, for a
4 Hydrogen Generator, a generating system converting natural water
5 into hydrogen and oxygen gasses. In that system and method,
6 the hydrogen atoms are disassociated from a water molecule by the
7 application of a non-regulated, non-filtered, low-power, direct
8 current voltage electrical potential applied to two non-oxidizing
9 similar metal plates having water passing therebetween. The
10 sub-atomic action is enhanced by pulsing the non-regulated and
11 non-filtered direct current voltage. Particularly significant
12 with my hydrogen generator disclosed in my co-pending application
13 is that the hydrogen/oxygen generated is in quantity in excess
14 of that necessary for practical utilization. Further, and equally
15 significant is that the generation of the hydrogen/oxygen is
16 controlled by any one of or more of several factors, i.e. varying
17 voltage, varying pulse rate, varying spacing between plates,
18 switching the number of plates, and plate configuration.

19 Therefore, the hydrogen/oxygen generation is a demand sys-
20 tem; that is, the hydrogen/oxygen is generated only upon the
21 need. Then, the generation is controlled in quantity by the need;
22 such as, accelerator for an automotive device.

23

24

25

2264

1 In my co-pending application filed May 5, 1981, U.S.
2 Serial Number: 262,744, for a Hydrogen Airdation Processor, non-
3 volatile and non-combustible gasses are controlled in a mixing
4 stage with a volatile gas. The hydrogen airdation processor
5 system utilizes a rotational mechanical gas displacement system
6 to transfer, meter, mix, and pressurize the various gasses. In
7 the gas transformation process, ambient air is passed through an
8 open flame gas-burner system to eliminate gasses and other pre-
9 sent substances. Thereafter the non-combustible gas-mixture is
10 cooled, filtered for impurity removal, and mechanically mixed
11 with a pre-determined amount of hydrogen gas. There results a
12 new synthetic gas. The synthetic gas formation also volume
13 meters and determines the proper gas-mixing ratio for establish-
14 ing the desired burn-rate of hydrogen gas. The rotational mech-
15 anical gas displacement system in that process determines the
16 volume-amount of synthetic gas to be produced.

17 The above-noted hydrogen airdation processor, of my co-
18 pending patent application, is a multi-stage system having util-
19 ity in special applications. Whereas the hydrogen generator sys-
20 tem of my other mentioned co-pending application does disclose
21 a very simple and unique hydrogen generator.

SUMMARY OF INVENTION:

The system of the present invention in its most preferred embodiment is for a combustion system having utility in a mechanical drive system. Particularly in one instance to drive a piston in an automotive device. The system utilizes the hydrogen generator of my co-pending patent application, Serial Number: 302,807, for developing hydrogen gas, and other non-volatile gasses such as oxygen and nitrogen. The hydrogen gas with the attendant non-volatile gasses in a controlled ratio are fed via a line to a controlled air intake system. The combined hydrogen non-volatile gasses, and the air after inter-mixing are fed to a combustion chamber wherein the mixture is ignited. The exhaust gasses of the combustion chamber are returned in a closed loop arrangement to the mixing chamber for the mixture of volatile as the non-combustible gasses. More specifically, the generated hydrogen gas is fed to a gas mixing chamber, wherein the hydrogen gas is inter-mixed with non-combustible gasses. The mixture is fed to a carburetor (air-mixture) system.

The gas mixture is fed through nozzle to chamber in a jet spray. Valve or gate controls the amount of air intake to the jet spray. The gas combines with the air to form a gas mixture of hydrogen, non-volatile gas, and oxygen. The mixture, now combustible, but not volatile, is entered into a combustion chamber conventional in design and comprising a cylinder capable of withstanding high pressure. At the uppermost end of combustion chamber is a spark plug igniter.

In a controlled manner, relative to the piston stroke, the spark ignition via plug, causes the mixed gasses to combust. The compression caused by the combustion, forces the piston to push downwardly in the cylinder.

The exhaust gasses, the residue of the combustion, now comprise a non-combustible mixture. These exhaust gasses are fed to the gas mixing chamber as the non-combustible gasses in a closed loop arrangement.

-2264

1 OBJECTS:

2

3 It is accordingly a principal object of the present invention
4 to provide a combustion system of gasses combined from a source
5 of volatile and non-combustible gasses.

6 Another object of the invention is to provide such a com-
7 bustion system that utilizes hydrogen as the volatile gas and the
8 exhaust of the combustion system as the non-combustible gas.

9 A further object of the invention is to provide such a com-
10 bustion system that may be incorporated in a mechanical drive
11 system.

12 Still other objects and features of the present invention
13 will become apparent from the following detailed description
14 when taken in conjunction with the drawings in which:

15 BRIEF DESCRIPTION OF DRAWINGS:

16 Figure 1 is a crosssectional mechanical schematic illustra-
17 tion of the present invention in its most preferred embodiment.

18 Figure 2 is a block schematic illustration of the preferred
19 embodiment of Figure 1.

20 Figure 3 is an alternative gas system replacement for that
21 shown in Figure 1.

22 Figure 4 is a block schematic illustration of a complete
23 drive system utilizing the concepts of the present invention.

24 Figure 5 is a further application of the present invention
25 in a regenerative energy feedback system.

C-2264

1 DETAILED DESCRIPTION OF INVENTION TAKEN WITH DRAWINGS:

2

3 Referring particularly to Figure 1 the complete overall com-
4 bustion system is illustrated together with a mechanically driven
5 piston. Similarly, Figure 2 illustrates the complete system in
6 its preferred embodiment.

7 With particular reference to Figure 1, the hydrogen source
8 10 is the hydrogen generator disclosed and described in my co-
9 pending application, supra. The container 102 is an enclosure for
10 a natural water bath 2. Immersed in the water 2 is an array of
11 plates 3 of similar non-oxidizing material. Applied to plates
12 3 is a source of pulsed direct current potential via electrical
13 inlet 27. The action of the pulsed direct current, a voltage/
14 current potential, on the plates causes the hydrogen and oxygen
15 atoms to become disassociated from the water molecule. In that
16 the action is a sub-atomic action and not a chemical action any
17 water irrespective of source may be utilized.

18 Varying either the potential of the direct current source or
19 the pulse rate of the pulsing of the direct current potential
20 will vary proportionately the generation of the hydrogen/oxygen.
21 Other factors are disclosed for varying the output of the gener-
22 ator. To replenish the expended water the generator provides a
23 continuous water source 1.

C-2264

1 The safety valve 28 is rupturable upon excessive gas build-
2 up. Whereas the switch 29 is a gas pressure switch to maintain a
3 predetermined gas pressure level about a regulated low-volume.

4 The generated hydrogen gas 4 is fed via pipe 5 to a gas
5 mixing chamber 7, wherein the hydrogen gas is inter-mixed with
6 non-combustible gasses 22 from a source hereinafter described.

7 The mixture of volatile gas and non-combustible gasses are
8 fed via pipe line 9 to a carburator (air-mixture) system 20.

9 The gas mixture 8 is fed through nozzle 11 to chamber 47 in
10 a jet spray 46. Valve or gate 45 controls the amount of air-in-
11 take the jet spray 46 of gasses combines with the intake air 14
12 to form a gas mixture 15 of hydrogen non-volatile gas, and oxy-
13 gen 15 now combustible, but not volatile, is entered into combus-
14 tion chamber 30, via pipe line 16. The chamber 30 may be con-
15 ventional in design and comprises a cylinder 17 capable of with-
16 standing high pressure. At the uppermost end of combustion cham-
17 ber 30 is a spark plug igniter 18.

18 In a controlled manner, relative to the piston 23 stroke, the
19 spark ignition 19 via plug 18, causes the mixed gasses 15 to com-
20 bust. The compression 21 caused by the combustion, forces the
21 piston 23 to push downwardly in the cylinder 17.

22 The exhaust gasses 22, the residue of the combustion 21, now
23 comprise a non-combustible mixture 22. These exhaust gasses 22
24 are fed via pipe line 24 to the gas mixing chamber 40 as the
25 non-combustible gasses as aforesaid.

-2264

1 The pipe line 24 passes through cooling chamber 50 for
2 cooling of the gasses therein. The cooling chamber 50 also
3 functions as a spark arrestor to eliminate the possibility of gas
4 ignition inside the mixing chamber 40. The excess non-combustible
5 gasses are exhausted via outlet 49, to be expelled into the at-
6 mosphere.

7 The apparatus of Figure 2 comprises much the same system as
8 Figure 1. In this embodiment the components are depicted more
9 explicitly in their structural relationship in an alternate ar-
10 rangement. Basically, the system is operable as that in Figure
11 1, i.e. a mixture of volatile (hydrogen) gas and non-combustible
12 gasses (exhaust).

13 The hydrogen generator 10, as aforesaid, may be any form of
14 a generator, however, in the preferred embodiment the hydrogen
15 generator is that of my co-pending patent application, supra.
16 The water system in a closed loop operation comprises a reser-
17 voir or tank 39 with an outlet 32 having pipe line 33 connected
18 thereto, water control valve 54 is operable to adjust the water
19 flow. The water is pumped by pump 34 in line 33 to line 35, and
20 then to the generator 10.

21 The overflow water expended and non-expended is expelled from
22 generator 10 into line 36, filtered in filter 41 of contaminants
23 and returned to tank 39 via pipe line 37. The loop is completed.

-2264

1 The gasses generated from the water in generator 10 also in-
2 cludes the oxygen component of the water in addition to nitrogen.

3 The outlet 5 on the generator 10 receives the volatile and
4 non-volatile (oxygen and nitrogen) gasses generated thereby and
5 feeds the same to the mixing chamber 40. The flow of the hydro-
6 gen volatile gas is, of course, critical; therefore, there is in-
7 corporated in line 5 a gas flow valve 53 to adjust the hydrogen
8 flow.

9 The exhaust gasses entering input 22 are fed via inlet pipe
10 31 through the cooling chamber also enter the mixing chamber and
11 spark arrestor 50 and into outlet pipe 24. These gasses from
12 chamber 50 too, are flow controlled by the flow valve 51 pipe
13 line 24.

14 The output of mixing chamber 40, as described relative to
15 Figures 1 and 2 is fed via line 9 to a gas mixture system 42. In
16 this instance the intake air 14 may be in a carburetor arrange-
17 ment with an intake adjustment 55 that adjusts the plate 42 open-
18 ing. The gas mixture 15 is fed into the carburetor by nozzle 11
19 and mixed with the air 14.

20 With particular reference to Figure 3 there is illustrated an
21 alternative combustion chamber 60 that may be utilized in lieu
22 of the chamber 30 of Figures 1 and 2.

C-2264

1 In this embodiment the volatile and non-combustible gas mix
2 ture that is generated and mixed in the arrangement of Figures
3 1 and 2, enters inlet 8 and is directed by pipe line 9 and nozzle
4 11 to the cone 65. The gas mixture combines with air 14 as it
5 enters cone area 65. The combined gas mixture, atomized by the
6 jet nozzle 11 with air intake 14 is directed by the cone 65
7 to the dispersing chamber 66. There the gas mixture 15 is fur-
8 ther mixed with air 14 to form combustible gas 15. The gas/air
9 mixture is dispersed via ports 67a xxx 67n from the dispersing
10 chamber 66 into the firing area of the combustion chamber 60.

11 The gas mixture entering inlet 8 is also fed by pipe line 9
12 to a separation chamber 71. This chamber sections off a con-
13 trolled amount of the intake gas mixture to the pilot light line
14 58. The pilot light firing 57 gas is also sequenced by the sep-
15 aration chamber 71 such as through an associated mechanical driv-
16 ing mechanism in the same manner as the cylinder of an automobile engine.

17 The mixed gas 56, ejected from ports 67a xxx 67n of the dis-
18 persing chamber 66, are ignited by the pilot combustion 57 and
19 thereby causing combustion 59 of the mainstream gasses.

20 As the non-combustible gasses 64 (exhaust gasses 22 of Figure
21 1) rise upwardly in the cylinder 61, of the combustion chamber 6
22 the cone 63 captures a portion of the non-combustible gasses 64.
23 The captured exhaust gas is returned via pipe line 68 and outlet
24 74 to the combustion process as set in Figure 1 or expelled for
25 other purposes.

AC-2264

1 The major purpose of the non-combustible gasses 64 by-pass
2 the cone 63 and rise further to the outlet exhaust 69 and are
3 expelled at opening 73.

4 In the constructed arrangement of Figure 4, there is illus
5 trated a gas control system that may be retrofitted to an exis-
6 ting automobile internal combustion engine without changing or
7 modifying its design parameters or characteristics.

2264

1 As low-voltage direct current is applied to safety valve 28,
2 solenoid 86 is activated. The solenoid applies a control vol-
3 tage to the hydrogen generator plates 26 via terminal 27 through
4 pressure switch 29. As the electrical power activates electric
5 solenoid 86, hydrogen gas is caused to pass through flow adjust-
6 ment valve 53 and then outlet pipe 5 for utilization.

7 Gas regulator valve 75 is utilized to reduce the pressure
8 level inside the hydrogen generator 10. The pressure differential
9 hydrogen gas output to gas mixing chamber 40 is, for example, 30
10 lbs. to 15 lbs. Once hydrogen generator 10 reaches an optimum
11 gas pressure level, pressure switch 29 shuts off electrical power
12 to the hydrogen exciters. If the chamber pressure exceeds a pre-
13 determined level, the safety release valve 28 is activated dis-
14 connecting the electrical current and thereby shutting down the
15 entire system for safety inspection.

16 Similar to an automobile engine or other drive force re-
17 quiring an electrical energizing source, the present invention
18 may include the regenerative energy feedback arrangement shown
19 in Figure 6.

20 The process utilizes a mechanical drive system as described
21 relative to Figures 1 and 2; and which mechanical drive may be
22 that of a piston such as utilized in a gasoline engine. In
23 operation, the process mixture is ignited much in the same manner
24 as in Figure 1. The drive mechanism in turn activates electrical
25 voltage of alternator 95 whose output is fed back to the hydrogen
26 generator and utilized as the firing voltage on the spark plug
27 18; again, in a closed loop arrangement.

1 Further, as aforesaid in my co-pending application, the
2 Hydrogen-Generator utilizes an electrical direct current voltage
3 source on the energizer plates. In addition to the feed back
4 closed loop as set forth with respect to the ignition system,
5 the feedback system of Figure 6 is equally, and perhaps more
6 significantly, applicable to the process of the hydrogen generator
7 That is, again referring to Figure 1, the electrical voltage app=
8 lied to contact 27 is in the closed loop with the alternator/
9 mechanical drive of Figure 6. In this way, the voltage require-
10 ments for the hydrogen generator are drastically reduced.

11 In the description of the embodiments illustrated in the
12 several Figures of the drawings, the terms non-combustible, and
13 non-volatile were used interchangeably. It is intended that there
14 be no distinction. Further, relative to the non-combustible
15 gasses, it is completely irrelevant as to the nature of the
16 gasses . . . the requirement being that it be non-combustible.

17 Depending upon the utility of the combustion chamber, the
18 ratio of the highly volatile hydrogen gas and the non-volatile
19 gas controls the combustion rate. Further, as understood oxygen
20 is required for combustion, and oxygen is entered into the gas
21 mixture line by the air intake. Again, the ambient air is under
22 stood to contain many and variable gasses other than oxygen.
23 Accordingly air-intake will add non-combustible gasses to the
24 gas mixture. This may require that the non-combustible gas in-
25 take be varied . . . and in some instances may not be necessary

IN THE CLAIMS:

1. A combustion system comprising:
 - a hydrogen/oxygen generator,
 - a housing having a water reservoir for retaining natural water
 - 5 therin and a gas collection chamber maintaining a preset volume of gas under pressure,
 - a pair of similar non-oxidizing plates positioned in said water reservoir,
 - a direct current voltage source connected to said plates to
 - 10 disassociate the hydrogen atoms and oxygen atoms from said water molecules, and
 - a gas mixing chamber,
 - piping means including a control valve connecting the hydrogen gas from said hydrogen source to said mixing chamber,
 - 15 a source of non-volatile gas,
 - piping means for including a control valve connecting the non-volatile gas from said non-volatile source to said mixing chamber,
 - said first and second named control valves regulating the gas
 - 20 mixture ratio output from said mixing means,
 - air-intake means connected to the output of said mixing chamber for combining air with said mixed gases,
 - a gas burner having said controlled amount of mixed gases from said mixing chamber and from said air-intake means fed thereto,
 - 25 means for igniting said gas/air mixture in said gas burner,

2. The combustion system of Claim 1 wherein said air-intake means further comprises a valve for controlling the amount of air-intake to said mixed gases.

3. The combustion system of Claim 1 wherein said means to ignite
- 30 said gas/air mixture is a combustion chamber having an ignitor.

4. The combustion system of Claim 3 further including a drive mechanism disposed relative to said combustion chamber and wherein said drive mechanism is responsive to said gas burning.

5. The combustion system of Claim 3 wherein said combustion chamber further comprises outlet means for expelling the exhaust gases therefrom, and means for returning a portion of said exhaust gases to said mixing means.
- 5 6. The combustion system of Claim 4 wherein said hydrogen source is a hydrogen generator.
7. The combustion system of Claim 1 wherein said hydrogen source is a hydrogen reservoir.
8. The combustion system of Claim 3, further including a pilot chamber and means for directing a portion (8) of said gas/air mixture thereto,
10 means (58) of connecting said pilot chamber to said combustion chamber, and
means to ignite said gas/air mixture portion to provide a pilot
15 ignition (57) to said combustion chamber (60).
9. The combustion system of Claim 3 wherein said means to ignite said mixed gases comprises an electrical ignition means and a source of electrical energy.
10. The combustion system of Claim 3 wherein said combustion
20 chamber comprises a mixed gas/air dispersing chamber having a series of ports therein.
11. The combustion system of Claim 4 further including utilization means and means for connecting said drive mechanism thereto.
- 25 12. The combustion system of Claim 4 further comprising a source of electrical energy connected to said ignitor in a closed loop mechanical arrangement with said drive mechanism.
13. The combustion system of Claim 5 wherein said means for returning a portion of said exhaust gases to said mixing means

further includes cooling means for cooling said exhaust gases.

14. The combustion system of Claim 5 wherein said means for returning a portion of said exhaust gases to said mixing means further includes a spark arrestor for preventing uncontrolled
5 combustion.

15. The combustion system of Claim 6 wherein said hydrogen generator includes a source of electrical potential, and wherein said source of electrical potential is connected is a closed loop mechanical arrangement with said drive mechanism.

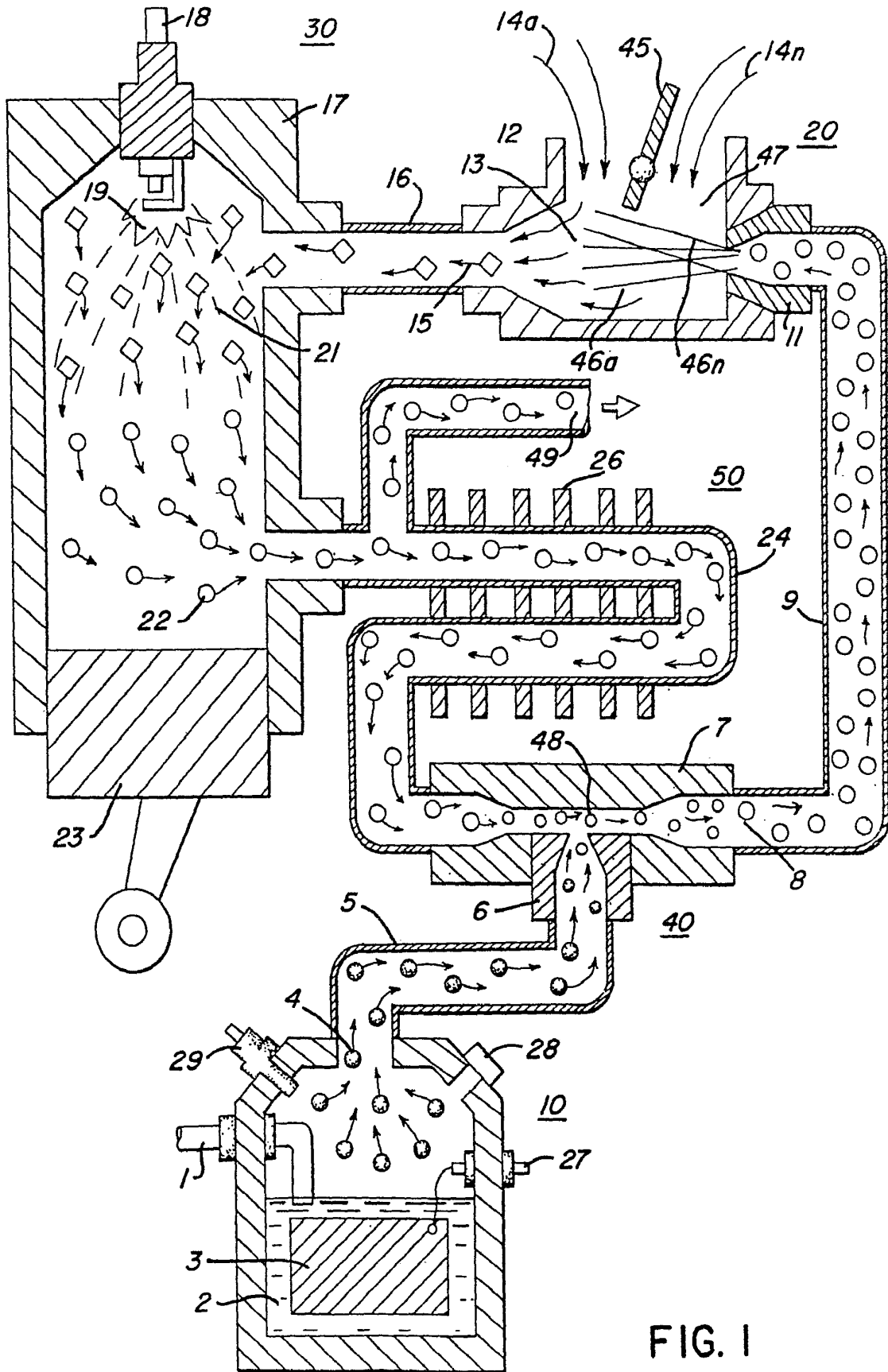


FIG. 1

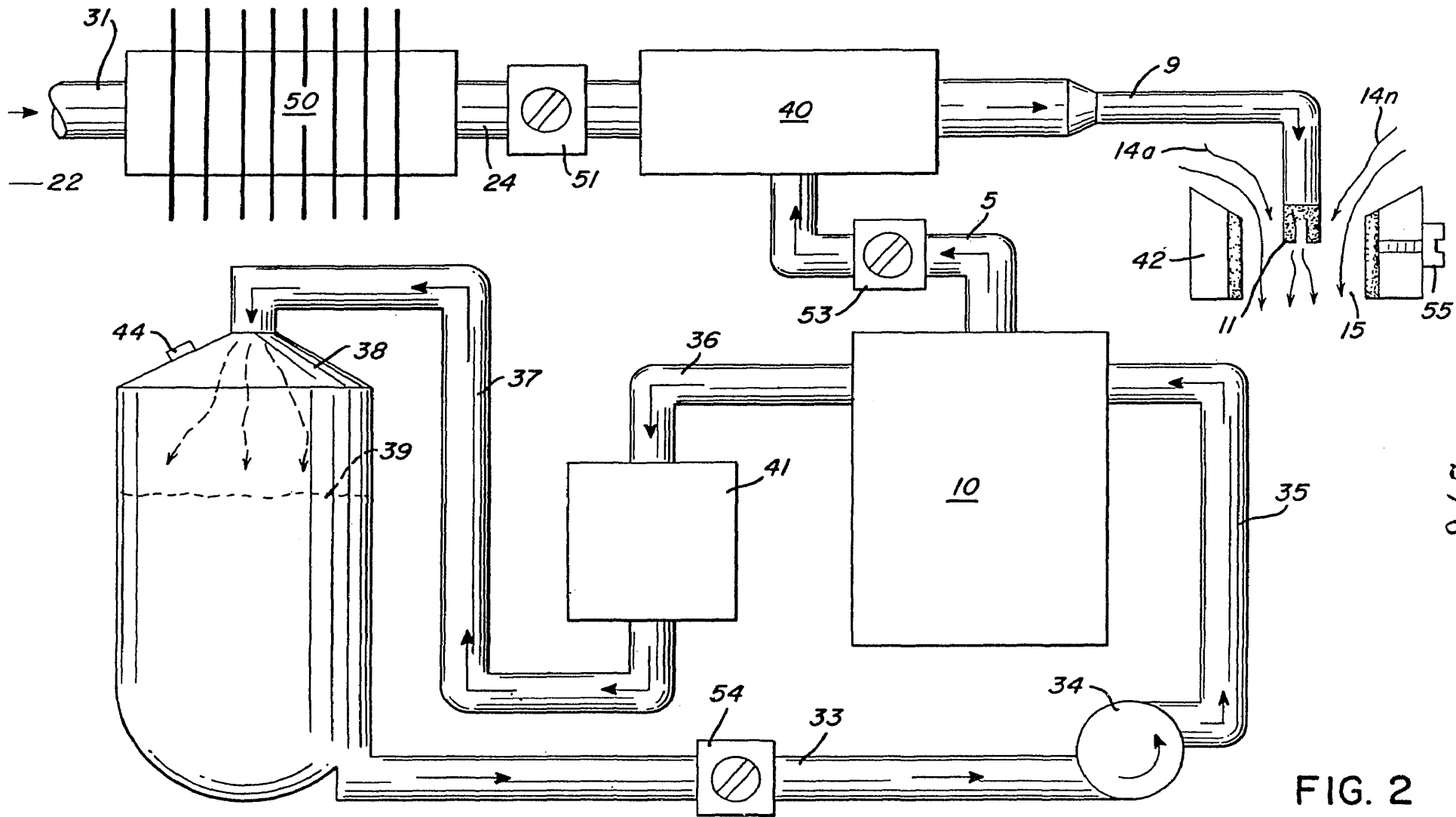
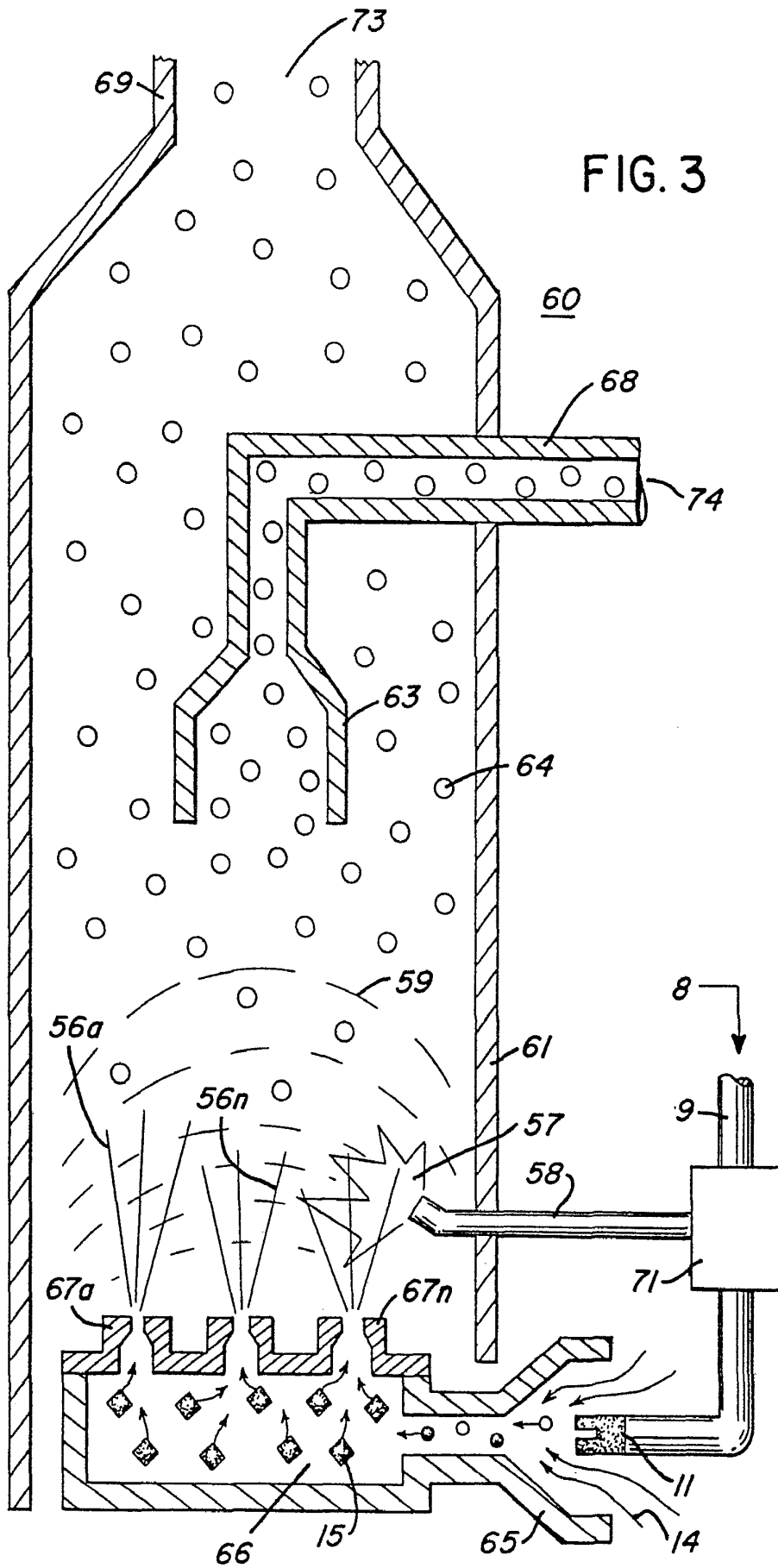


FIG. 2

FIG. 3



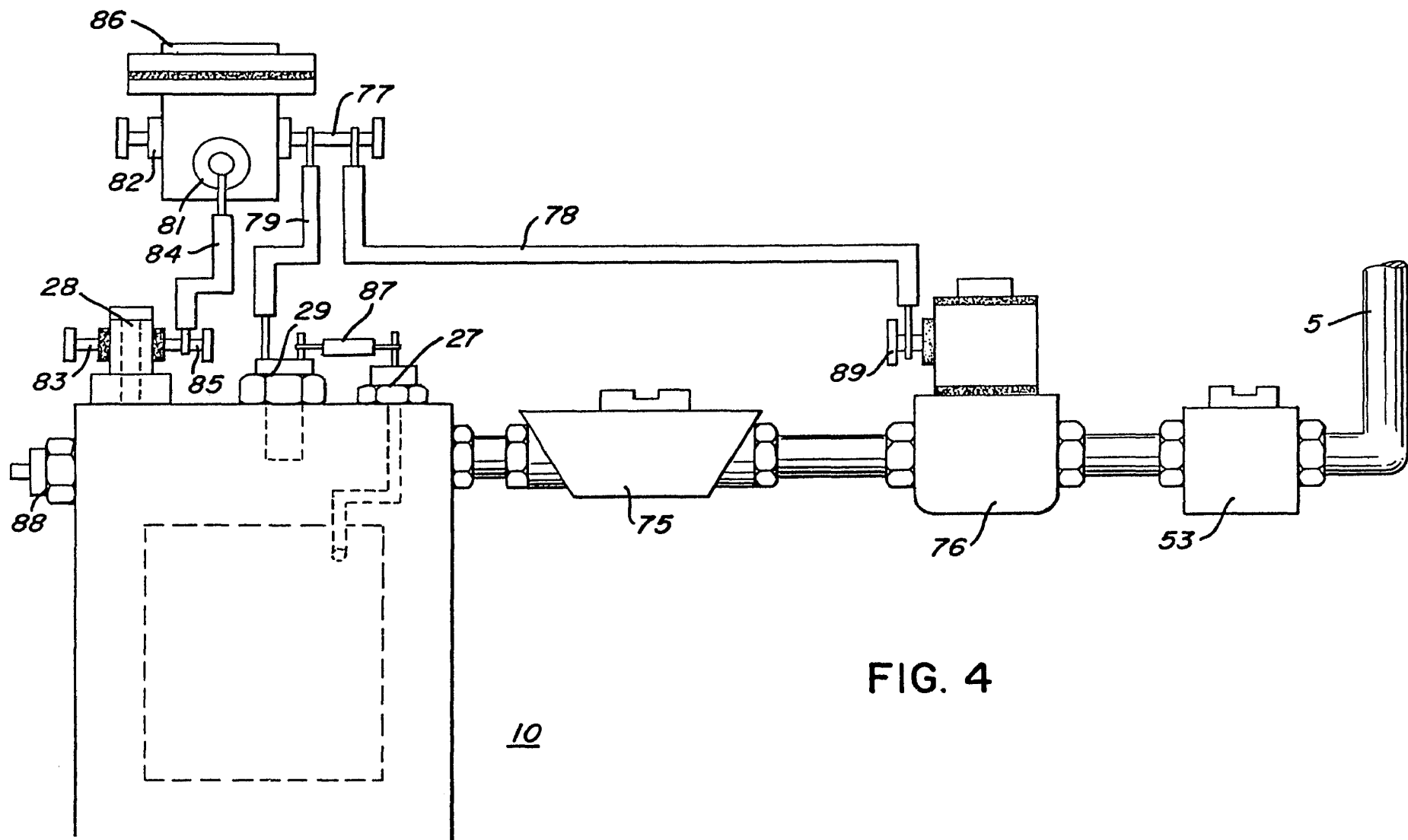


FIG. 4

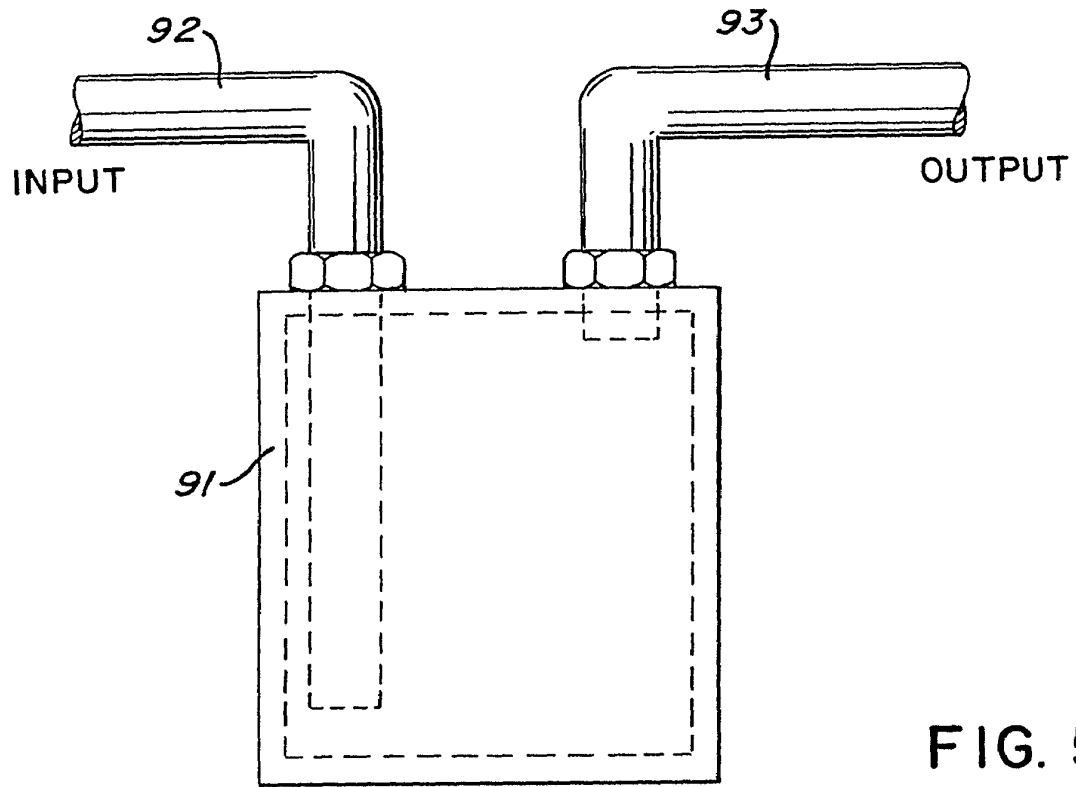


FIG. 5

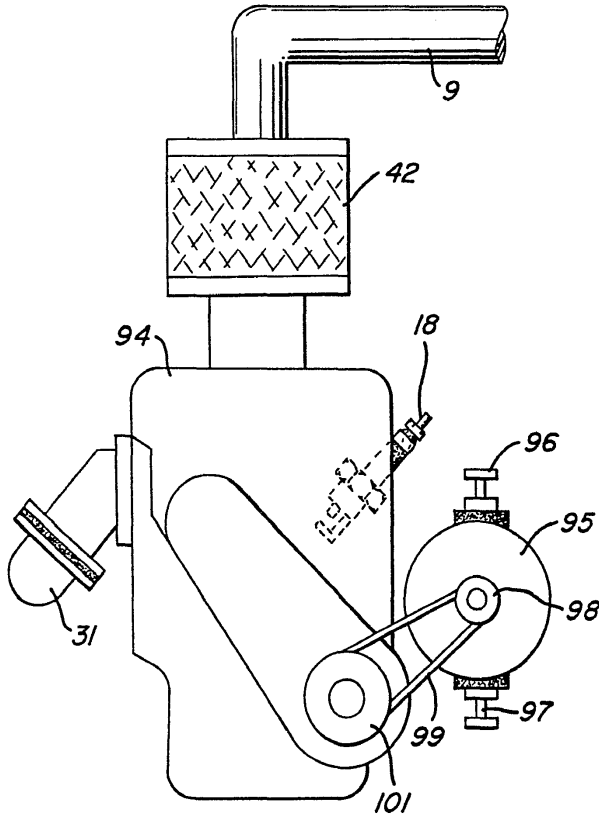


FIG. 6



| DOCUMENTS CONSIDERED TO BE RELEVANT | | | |
|---|--|--|--|
| Category | Citation of document with indication, where appropriate, of relevant passages | Relevant to claim | CLASSIFICATION OF THE APPLICATION (Int. Cl. 7) |
| Y | FR-A-2 096 416 (I.M.C.) * Page 2, line 1- page 3, line 7; page 4, lines 4-13; page 4, line 26 - page 5, line 6; page 6, line 3 - page 7, line 13; figure 1 * | 1,3-5, 7,9,11 -13 | F 02 B 47/10 F 02 B 43/10 F 02 M 21/02 F 02 M 25/06 F 23 L 7/00 F 23 C 9/00 |
| Y | US-A-3 648 668 (PACHECO) * Column 3, lines 19-64; figure 1 * | 1-4,6, 11,12 | |
| A | FR-A-1 178 241 (CHARDONNEREAU) * Page 1, left-hand column, paragraph 5 - page 2, left-hand column, paragraph 3; page 2, right-hand column, paragraph 3; figures 1-4 * | 1,2,4, 6,11, 15 | |
| | | | TECHNICAL FIELDS SEARCHED (Int. Cl. 7) |
| A | US-A-3 971 847 (U.S.A.) * Column 3, lines 1-11, 51-66 * | 3,8-10 | F 02 B F 02 M F 23 K F 23 L F 23 C F 23 D |
| A | GB-A-2 079 441 (DABBS) * Figures 1,2; page 1, lines 85-126 * | 5,10, 13 | |
| --- -/- | | | |
| The present search report has been drawn up for all claims | | | |
| Place of search THE HAGUE | | Date of completion of the search 22-08-1983 | Examiner VON ARX H.P. |
| CATEGORY OF CITED DOCUMENTS | | T : theory or principle underlying the invention E : earlier patent document, but published on, or after the filing date D : document cited in the application L : document cited for other reasons & : member of the same patent family, corresponding document | |
| X : particularly relevant if taken alone Y : particularly relevant if combined with another document of the same category A : technological background O : non-written disclosure P : intermediate document | | | |



| DOCUMENTS CONSIDERED TO BE RELEVANT | | | |
|--|---|--|--|
| Category | Citation of document with indication, where appropriate, of relevant passages | Relevant to claim | CLASSIFICATION OF THE APPLICATION (Int. Cl. ³) |
| A | GB-A-1 517 799 (NISSAN) * Page 1, line 1 - page 2, line 69 * | 1-5, 7, 9, 11-13 | |
| A | --- US-A-4 059 076 (NISSAN) * Whole document * ----- | 1-4, 6, 9 | |
| The present search report has been drawn up for all claims | | | TECHNICAL FIELDS SEARCHED (Int. Cl. ³) |
| Place of search THE HAGUE | | Date of completion of the search 22-08-1983 | Examiner VON ARX H.P. |
| <p>CATEGORY OF CITED DOCUMENTS</p> <p>X : particularly relevant if taken alone Y : particularly relevant if combined with another document of the same category A : technological background O : non-written disclosure P : intermediate document</p> <p>T : theory or principle underlying the invention E : earlier patent document, but published on, or after the filing date D : document cited in the application L : document cited for other reasons & : member of the same patent family, corresponding document</p> | | | |