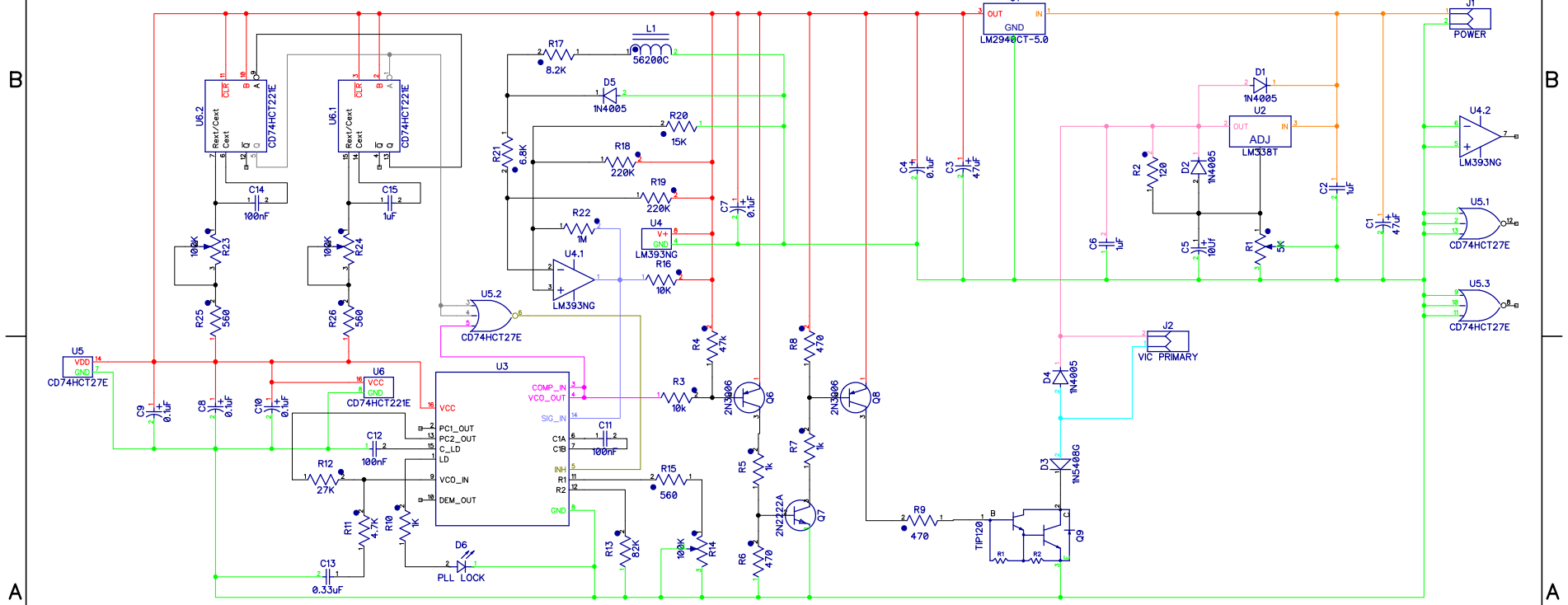


2

1

REVISIONS				
ZONE	REV	DESCRIPTION	DATE	APPROVED



B

B

A

A

VIC Driver Board				SIZE	FSCM NO.	DWG NO.	REV
				B		VIC-Driver-v4r1	4
SCALE 1:1		VIC Driver					

2

1